

# Specifications

## 55-Meter Concrete Pump

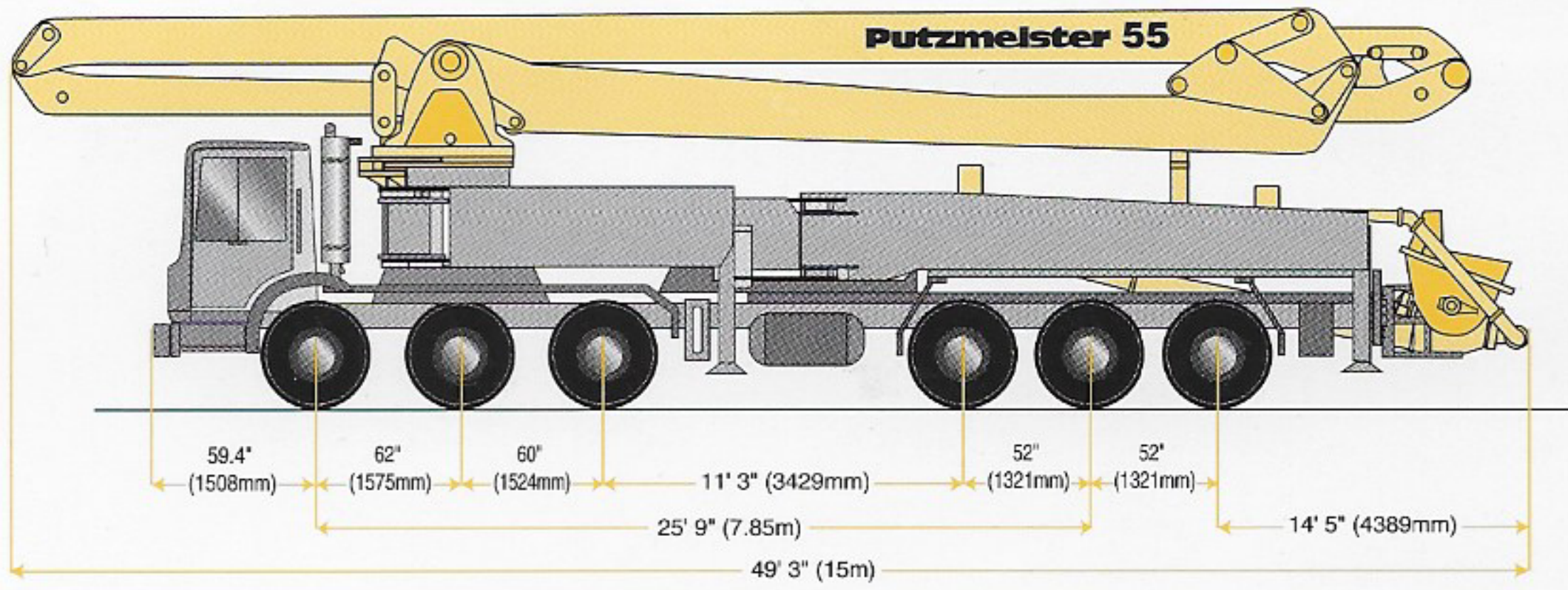
### Truck-Mounted Specifications

Based on Model MACK MR688S

Length	49' 3"	(15.00m)
Width	8' 2"	(2.50m)
Height	12' 11"	(3.94m)
Wheelbase	309"	(7,849mm)
Front axle weight	53,395 lbs	(24,217kg)
Rear axle weight	51,540 lbs	(23,375kg)
Approx. total weight	104,935 lbs	(47,592kg)

Weights are approximate and include pump, boom, truck, full hydraulic oil, driver and some fuel. Varies with options selected.

Dimensions will vary with different truck makes, models and specifications.



### Boom Specifications • Roll and Fold Design

#### Height & Reach

Vertical reach	180'	(54.86m)
Horizontal reach	167' 4"	(51.00m)
Reach from front of truck*	158' 9"	(48.40m)
Reach depth	135'	(41.15m)
Unfolding height	48'	(14.63m)

#### 4-Section Boom

1st section articulation	180°
2nd section articulation	180°
3rd section articulation	180°
4th section articulation	210°
1st section length	29' 10" (9.10m)
2nd section length	43' 6" (13.25m)
3rd section length	46' 9" (14.25m)
4th section length	46' 11" (14.29m)

#### General Specifications

Pipeline size (ID) metric ends with couplings (133x4mm)+	5"	(125mm)
Rotation	365°	
End hose-length (heavy duty)	13'	(4m)
End hose-diameter	5"	(125mm)
Outrigger spread L-R-front swing out & telescope	34' 9"	(10.60m)
Outrigger spread L-R-rear swing out	32' 9"	(9.98m)

### Pump Specifications

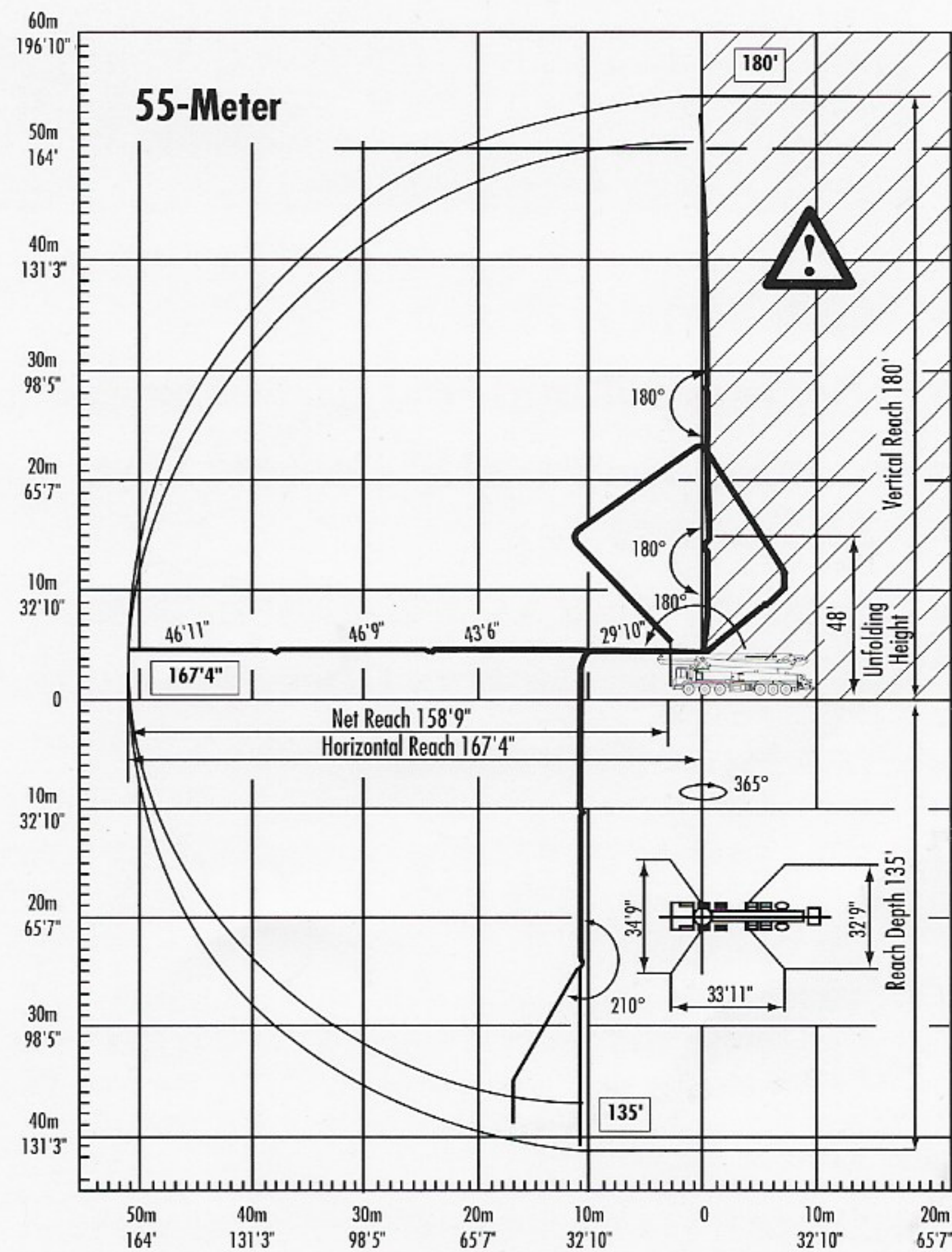
	55.16H	55.20H
Output- rod side	210 yd <sup>3</sup> /hr (160m <sup>3</sup> /hr)	—
piston side	146 yd <sup>3</sup> /hr (112m <sup>3</sup> /hr)	260 yd <sup>3</sup> /hr (200m <sup>3</sup> /hr)
Pressure-rod side	1233 psi (85 bar)	—
piston side	1885 psi• (130 bar)•	1233 psi• (85 bar)•
Concrete cylinder dia.	9" (230mm)	11" (280mm)
Stroke length	83" (2100mm)	83" (2100mm)
Max strokes per minute-		
rod side	31	—
piston side	21	28
Volume control	0-Full	0-Full
Vibrator	Standard	Standard
Hard chromed concrete cylinders	Standard	Standard
Hydraulic system	Free Flow	Free Flow
Hyd. system pressure	5075 psi (350 bar)	5075 psi (350 bar)
Differential cylinder dia.	5.5" (140mm)	5.5" (140mm)
Rod diameter	3.1" (80mm)	3.1" (80mm)
Maximum size aggr.	2.5" (63mm)	2.5" (63mm)
Water tank - pedestal	238 gal (900L)	238 gal (900L)
- outrigger	185 gal (700L)	185 gal (700L)

Maximum theoretical values listed.

\* Applies to units mounted on PMA stock truck-MACK MR688S

• Standard delivery line system rated at max line pressure of 1233 psi (85 bar)

+ Only delivery line 133x4 mm is to be used on the 55 Meter boom



End hose not to be operated in caution area.



**Putzmeister America**  
1733 90th Street  
Sturtevant  
Wisconsin 53177 USA

Telephone (262) 886-3200  
(800) 884-7210  
Facsimile (262) 884-6338  
www.putzmeister.com

Right to make technical amendments reserved.